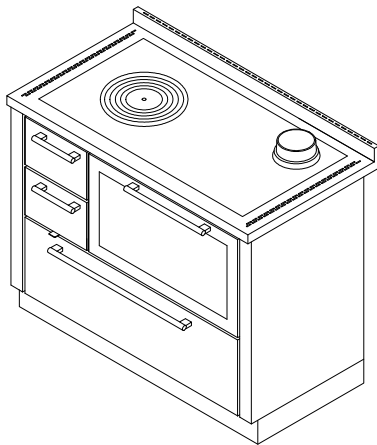
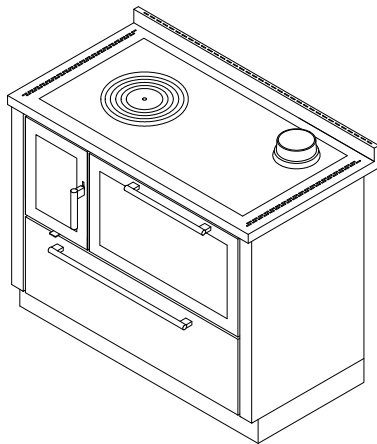


F110**WOOD-COOKERS "CLASSICA"**

mm 1100x600x860

CE EN -12815 certification



Colours:

White, Blue, Green, Grey, Black, Red, Ivory, Rust, Stainless steel

(stainless steel handles D5)

Version Arte 11, 12, 13, 14:

White, Blue, Green, Grey, Black, Red, Ivory, Rust

(choice of knobs: nickel-plated, satin-finished, polished brass)

STANDARD EQUIPMENT:

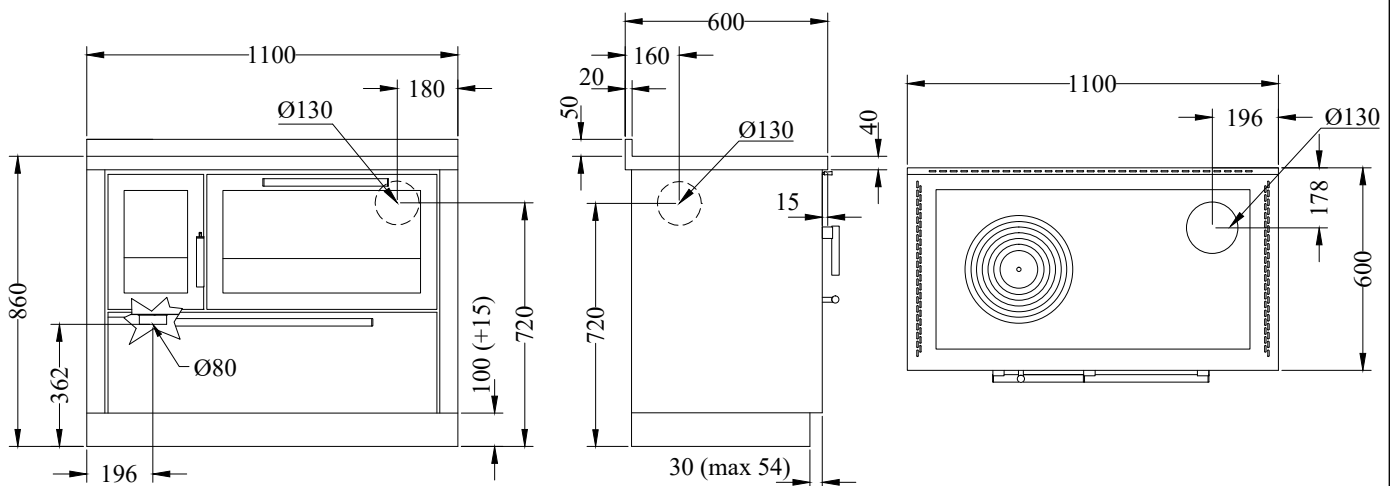
- right or left top flue outlet \varnothing 130 mm
- cast-iron hotplate mm 930x470 with cooking rings set
- oven mm. 550x410xh260 with light and thermometer
- **triple glazed firebox door**
- pair of telescopic pullout for baking pan
- stainless steel fire and oven doors
- s.steel frame of mm 40 (total height 860 mm) A2-B4
- stainless steel base h. 100 mm height and depth adaptable
- external flue air \varnothing 80 mm

BY REQUEST:

- rear or side flue outlet, right or left \varnothing 130 mm
- black fire and oven doors
- firebox and hash drawer blind doors
- glass-ceramic hotplate (rear flue only)

OPTIONALS:

- front handrail s.steel or brass, 2 or 3 sides
- heavy-duty radiant hotplate
- stainless steel hotplate cover



Right flue version. Left flue version is symmetrical

DATA SHEET

Nominal heat output: 5.5 kw	Efficiency: 85 %
Max heat output: 7.5 kw	Mean content of CO to 13% O ₂ : 0.10 %
Mean flue gas temperature: 212 C°	Flue gas mass flow: 7.5 g/s
Hearth dimensions (LxP): 19x34x24 cm	Average DUST content to 13% O ₂ : 29.4 mg/Nm ³
Fill opening (LxH): 19x23 cm	External flue air: \varnothing 80 mm
Flue depression: 0.12 mbar	Net weight/packaging included: kg 240/260